

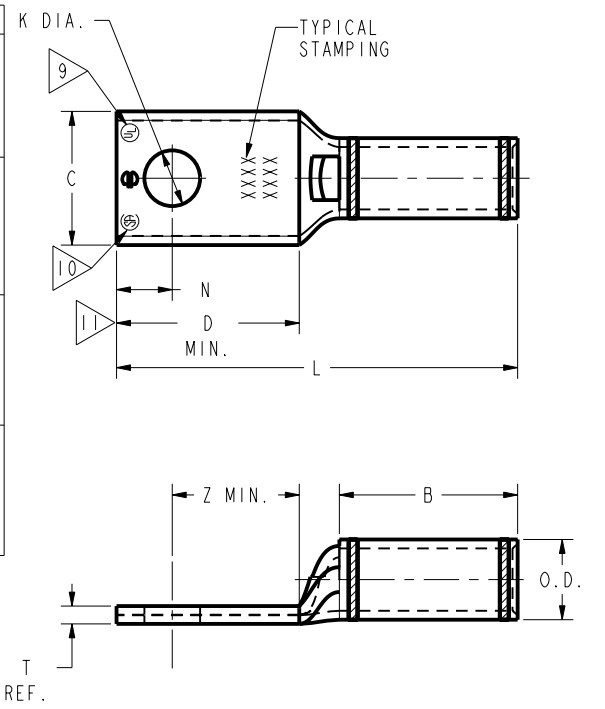
REV	DATE	DESCRIPTION	ECO	BY	C'H'K.
K	05/22/2015 00:00:00 AM	FORM REQUEST + FINISHING	40359	SV	MB

CATALOG NUMBER	STRANDED COPPER CONDUCTOR ACCOMMODATED			BOLT SIZE	METRIC BOLT SIZE	DIMENSIONS									
	CODE (AWG)	NAVY	METRIC SIZE (CLASS 2)			B	C	K DIA.	L	N	O.D.	T REF.	Z MIN.		
YA31L11	350 kcmil	350	----	3/8	----	1.06 [27]	1.29 [33]	.40 [10]	2.50 [64]	.41 [10]	.88 [22]	.18 [5]	.42 [11]		
YA31L				1/2	M12			.53 [13]	2.75 [70]	.53 [13]				.55 [14]	
YA31L7				5/8	M16			.69 [18]	3.00 [76]	.66 [17]				.67 [17]	
YA31L36				7/8	----			.94 [24]	4.02 [102]	1.19 [30]				1.16 [29]	
YA31L38				3/4	M10			1.06 [27]	1.29 [33]	.81 [21]	3.16 [80]	.75 [19]	.88 [22]	.18 [5]	.77 [20]
YA32L14	400 kcmil	400	----	3/8	----	1.19 [30]	1.40 [36]	.40 [10]	2.68 [68]	.41 [10]	.95 [24]	.19 [5]	.42 [11]		
YA32L1				1/2	M12			.53 [13]	2.93 [74]	.53 [13]				.55 [14]	
YA32L1UNPL				5/8	M16			.69 [18]	3.18 [81]	.67 [17]				.67 [17]	
YA32L				7/8	----			1.19 [30]	1.40 [36]	.94 [24]	3.62 [92]	.88 [22]	.95 [24]	.19 [5]	.89 [23]
YA32LTC78				5/8	M16			1.50 [38]	1.48 [38]	.69 [18]	3.57 [91]	.66 [17]	1.01 [26]	.21 [5]	.67 [17]

CONNECTOR SIZE	TOLERANCES					
	B	C	K DIA.	L	N	O.D.
-8C THRU -25	±.06	±.04	±.02	±.09	±.03	±.01
-26 THRU -34	±.08	±.04	±.02	±.12	±.03	±.01
-35 AND UP	±.09	±.06	±.02	±.15	±.06	±.01

TOLERANCE BLOCK

CATALOG NO.	COLOR CODE	DIE INFORMATION		MECHANICAL RATCHET				HYDRAULIC					DIELESS (# CRIMPS)	WIRE STRIP LENGTH	
		DIE INDEX	TYPE	YIMRTC	OUR840	MD6 MD7	MD6--R2 MD7-34R	Y500CT PATMD6 PAT600	Y34A Y34B Y34BH	Y35, Y39 Y750, PAT750	Y46 PAT46	Y45			Y48B
YA31L11 YA31L YA31L7 YA31L36 YA31L38	RED	18 324	RED DIE SET NEST INDENTOR	----	----	W31VT(2)	W31RT(2) W31VT(2)	W31VT(2) W31RT(2)	----	U31RT(2) U29ART(2)	U31RT(2) U29ART(2)	U31RT(2) U29ART(2)	C31R(2) C29AR(2)	L31RT(1) L29ART(1)	1-1/8"
YA32L14 YA32L1 YA32L1UNPL YA32L YA32LTC78	BLUE	19 470	BLUE DIE SET NEST INDENTOR	----	----	W32VT(2)	W32RT(2) W32VT(2)	W32VT(2) W32RT(2)	----	U32RT(2) U30ART(2)	U32RT(2) U30ART(2)	U32RT(2) U30ART(2)	C32R(2) C30AR(2)	L32RT(1) L30ART(1)	1-1/4"
YA33L	GRAY	326 538	GRAY DIE SET NEST INDENTOR	----	----	W33VT(2)	W33RT(2) W33VT(2)	W33VT(2) W33RT(2)	----	U33RT(2)	U33RT(2)	U33RT(2)	----	L33RT(1)	1-9/16"



NOTES:

- MATERIAL: COPPER TUBING.
- FINISH: TIN PLATED.
"FOR ALTERNATIVE FINISH ADD ONE OF THE FOLLOWING SUFFIXES:
NICKEL = NK, LEAD = LD, BARE = BR, SILVER = SV"
- CATALOG # PT6515 ADAPTOR IS REQUIRED TO USE "U" DIES IN Y45 SERIES TOOLS.
- CATALOG # PUADP-1 ADAPTOR IS REQUIRED TO USE "U" DIES IN Y46 SERIES TOOLS.
- Y35P3 INDENTOR ADAPTOR REQUIRED FOR Y34PR INDENTOR.
- PERMANENT DIE IN TOOLING.
- DIMENSIONS IN BRACKETS [] ARE IN MILLIMETERS ROUNDED OFF TO THE NEAREST MILLIMETER, UNLESS OTHERWISE NOTED, AND ARE FOR REFERENCE ONLY.
- FOR USE BY CUSTOMERS THAT HAVE THIS HYPRESS™, NO NEW Y34A HYPRESS™ TOOLS ARE BEING PROCESSED. Y34A USES A--D NEST DIES ONLY.
- CONNECTORS ARE UL LISTED; UNDRILLED VERSIONS ARE NOT UL LISTED.
- CONNECTORS ARE CSA CERTIFIED. UNDRILLED VERSIONS ARE NOT CSA CERTIFIED.
- FOR UNDRILLED VERSIONS ADD SUFFIX "-U" TO END OF CATALOG NUMBER.
FOR UNDRILLED VERSIONS, USE D MIN. = N MAX. + Z MIN.
- "X", "W-RT", "W-VT", "U" & "L" DIE SETS ARE COLOR CODED. "A", "B" AND "C" DIES ARE NOT COLOR CODED. NESTS AND INDENTOR TYPE ARE NOT COLOR CODED.

ADD SUFFIX "UNPL" FOR UNPLATED CONNECTORS WITH NO BARREL MARKINGS.

REFERENCE: SE209240

TO ORDER BURNDY® PRC

COPPER HYLUG™	
ITEM NO:	N/A
CAT. NO:	YA-L, YA-L-TC-, YAV-TC-
DRAWN BY:	J MICHAUD 8/9/94
CHECKER:	D FILLION 10/9/94
DSN APPVL:	C PALAGI 8/19/94
MFG APPVL:	N/A N/A
QA APPVL:	C ACKERMAN 9/30/94
MKT APPVL:	T NELSON 9/7/94
PROD FAM:	CM&R COMPRESSION
PROJECT #:	---
DOCUMENT TYPE:	Sales
REL LEVEL:	Released
DRAWING NO:	SD079848
SCALE:	1:1
REV:	K
SHEET:	12 OF 17

REV: PE0200